

Videoendoscope

Flexible "GTD6.0 / DUAL VISION"

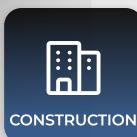
COBB
FIBRE OTTICHE



AERONAUTICAL



AUTOMOTIVE



CONSTRUCTION



ELECTRONICS



ENERGY



INDUSTRIAL



WELDING



LAW
ENFORCEMENT

The GTD series offers a wide range of inspection instruments, with diameters of 4.0mm, 5.5mm and 6.0mm, with probe lengths ranging from 1.5m up to 10m.

COBB FIBRE OTTICHE SRL

Via Nelson Mandela, 20 | 24048 Treviolo (BG) | Italy Tel. +39 035 0448601 - Fax +39 035 0448585
info@fibre-ottiche.com - www.endoscopi-industriali.it

Main technical features of the "GTD" videoendoscope

Ergonomic design, easy and intuitive to use.
Instrument designed for the inspection of industrial pipelines, to operate in confined spaces in search of possible cracks or foreign bodies, to detect wear conditions, for the inspection of welds and processing of internal parts that are not accessible.

The materials used in the construction of the GTD series videoendoscopes are in line with the concept of engineering design for environmental protection, and feature a tungsten protective sheath highly resistant to wear in all difficult and extreme working conditions.

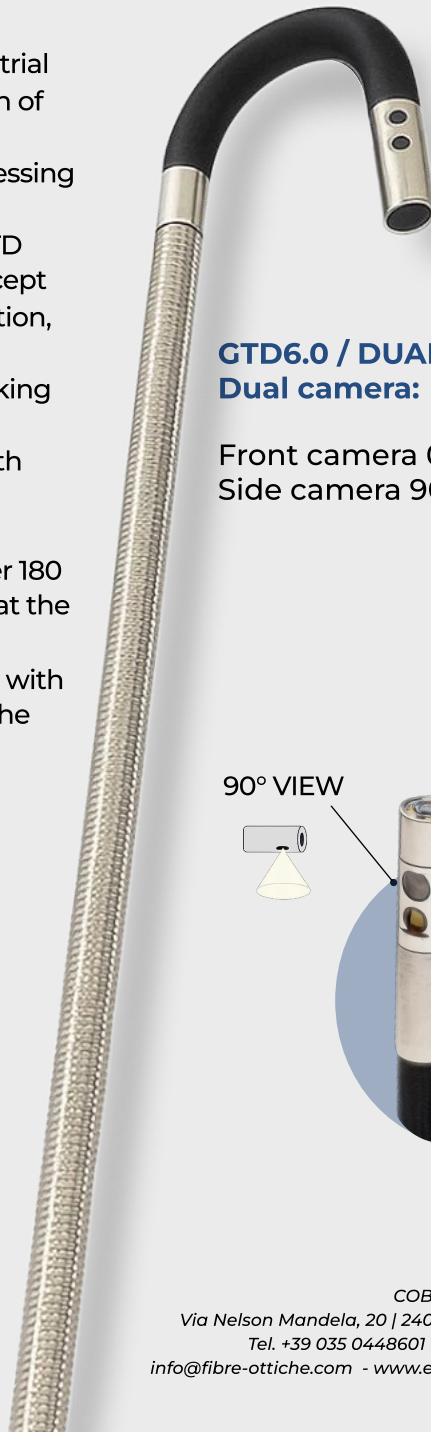
The illumination with latest-generation LEDs with high luminous efficiency, combined with the mechanical control of the viewing head in four directions with a unilateral bending angle of over 180 degrees (retrograde view), place the GTD series at the top of its category.

4.3-inch color LCD display, anti-reflection screen with image optimization functions for viewing in all the most critical lighting conditions.

Software with various functions for processing captured images.

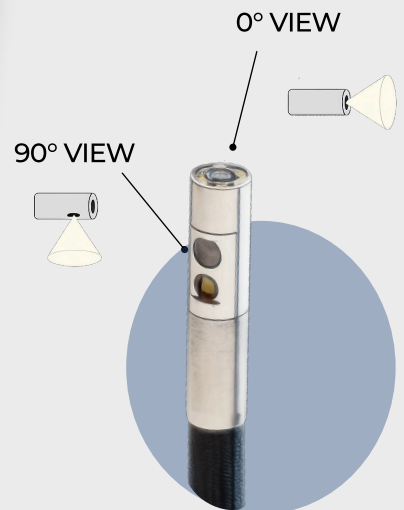
The flexible videoendoscope "GTD6.0 / DUAL VISION"

6 mm diameter, is available with probe lengths ranging from 1.5 m up to 10 m, with a viewing head available in 4-way articulation, 2-way articulation, or none.



GT6.0 / DUAL VISION Dual camera:

Front camera 0°
Side camera 90°



Videoendoscope

Flexible "GTD6.0 / DUAL VISION"

COBB
FIBRE OTTICHE

Available diameters 6,0mm

Available lengths 1,5 - 2,0 - 3,0 - 4,0 - 5,0 - 6,0 - 7,0
8,0 - 10mt

Viewing head articulation 2-way - 4-way or no articulation

Illumination LEDs positioned at the probe tip

Probe head articulation angle From 120° to 180° and beyond depending on the length

Depth of field From 5 mm to 10 mm, from 10 mm to infinity depending on the models

Viewing direction Forward 0° and lateral at 90°

Field of view 120° forward
90° lateral

Monitor 4,3" LDC, 360° rotatable and detachable from the probe

Monitor external dimensions 14,5cm x 10,5cm x 4,5cm

Power supply Lithium batteries 3.7V, 3000mAh and/or mains power supply 110/220VAC

Battery charger and mains adapter Included

Ports in/out USB 2.0 port, TV out video signal

SD slot for photo/video SD card max 32GB for storing photos and videos

Key functions Main menu settings: date, time, video, photo, zoom, light adjustment

Photo and video Photo (1600x1200 jpeg)
Video (640x480 avi)

White balance Automatic

Anti-reflection system / camera sensitivity Automatic

Camera pixels Forward camera 0°: 480,000
Lateral camera 90°: 450,000

Image control functions Image mirroring, zoom, photo preview, freeze frame

Waterproof rating IP67

Temperature resistance Operating and storage temperatures: -20°C +60°C



COBB FIBRE OTTICHE SRL
Via Nelson Mandela, 20 | 24048 Treviolo (BG) | Italy
Tel. +39 035 0448601 - Fax +39 035 0448585
info@fibre-ottiche.com - www.endoscopi-industriali.it

Videoendoscope

Flexible "GTD6.0 / DUAL VISION"

COBB
FIBRE OTTICHE

Code

Diameter

Length

Articulation

GTD6.0-1500/4 DUAL VISION	diam.6.0mm	L=1,5mt	4-way articulation
GTD6.0-1500/2 DUAL VISION	diam.6.0mm	L=1,5mt	2-way articulation
GTD6.0-2000/4 DUAL VISION	diam.6.0mm	L=2,0mt	4-way articulation
GTD6.0-2000/2 DUAL VISION	diam.6.0mm	L=2,0mt	2-way articulation
GTD6.0-3000/4 DUAL VISION	diam.6.0mm	L=3,0mt	4-way articulation
GTD6.0-3000/2 DUAL VISION	diam.6.0mm	L=3,0mt	2-way articulation
GTD6.0-4000/4 DUAL VISION	diam.6.0mm	L=4,0mt	4-way articulation
GTD6.0-4000/2 DUAL VISION	diam.6.0mm	L=4,0mt	2-way articulation
GTD6.0-5000/4 DUAL VISION	diam.6.0mm	L=5,0mt	4-way articulation



Code

Code

Length

Articulation

GTD6.0-5000/2 DUAL VISION	diam.6.0mm	L=5,0mt	2-way articulation
GTD6.0-6000/4 DUAL VISION	diam.6.0mm	L=6,0mt	4-way articulation
GTD6.0-6000/2 DUAL VISION	diam.6.0mm	L=6,0mt	2-way articulation
GTD6.0-7000/4 DUAL VISION	diam.6.0mm	L=7,0mt	4-way articulation
GTD6.0-7000/2 DUAL VISION	diam.6.0mm	L=7,0mt	2-way articulation
GTD6.0-8000/4 DUAL VISION	diam.6.0mm	L=8,0mt	4-way articulation
GTD6.0-8000/2 DUAL VISION	diam.6.0mm	L=8,0mt	2-way articulation
GTD6.0-10000/4 DUAL VISION	diam.6.0mm	L=10mt	4-way articulation
GTD6.0-10000/2 DUAL VISION	diam.6.0mm	L=10mt	2-way articulation

COBB FIBRE OTTICHE SRL

Via Nelson Mandela, 20 | 24048 Treviolo (BG) | Italy Tel. +39 035 0448601 - Fax +39 035 0448585
info@fibre-ottiche.com - www.endoscopi-industriali.it